

Pay attention to the following matters



Magnets produce a magnetic field that may interfere with medical devices such as metallic implants or cardiac pacemakers. Do not use Ixtur magnets and keep out of close proximity unless you have approval from the manufacturer of the medical device or from your physician.

The magnetic poles of Ixtur **MRP** magnets extend to the top of the magnet. If the poles are connected with a mild steel structure, the gripping force is reduced, i.e. the mounting structure around the magnet must not short-circuit the magnetic field.

If the **MRP** magnet is to be mounted to a mild steel structure, an aluminum spacer is required. In this case, the screws must also be non-magnetic, i.e. screws made of austenitic stainless steel.

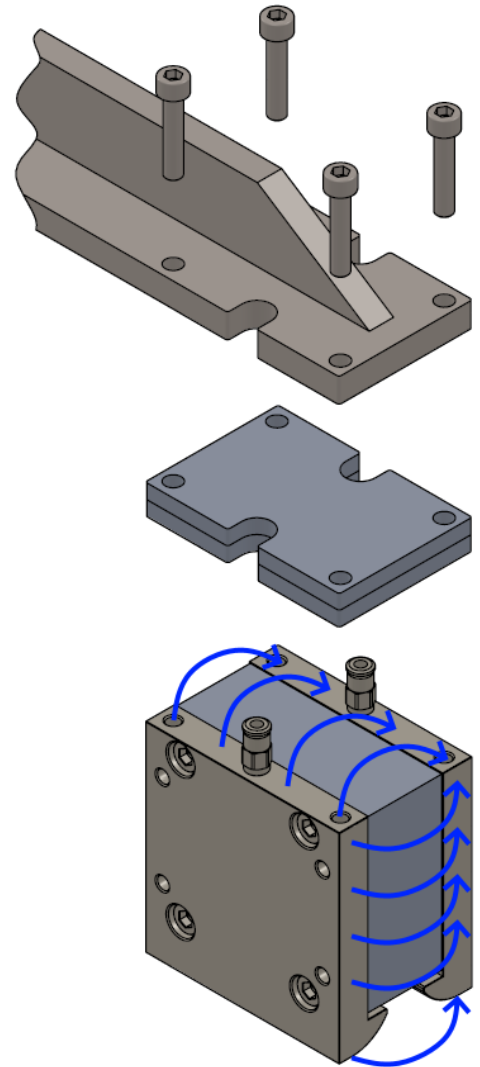
The instructions above apply to **MRP** magnets. **MAP** magnets can be mounted to a mild steel structure without additional measures.

Recommended thickness of aluminum spacer:

12 mm MRP-20NK, -28NK, -30F, -31F, -31FK, -42K, -46

20 mm MRP-100NK, -130F, -170, -170K

No additional measures are necessary, when **MRP** magnets are mounted to a structure made of aluminum or austenitic stainless steel.



Requirements for compressed air:

Water separation
Particle filter $\leq 5\mu\text{m}$

When compressed air is supplied to an air connector of the magnet, air must be able to come out from the other connector. For example, type 5/2 and 5/3 valves meet the above requirement.

